

TION.

USER MANUAL

Air Purifier-Decontaminator
Tion Clever

TION.

USER MANUAL

Air Purifier-Decontaminator
Tion Clever



CONTENTS

1. GENERAL INFORMATION	3
2. SUPPLY PACKAGE AND TECHNICAL PARAMETERS	5
3. SAFETY MEASURES	6
4. CONSTRUCTION AND OPERATING CONCEPT	7
5. INSTALLATION GUIDELINES	11
6. COMMISSIONING	18
7. EQUIPMENT SELECTION GUIDELINES	18
8. MAINTENANCE	19
9. TROUBLESHOOTING GUIDE	26
10. STORAGE AND TRANSPORTATION	27
ACCEPTANCE CERTIFICATE	28
SALES CERTIFICATE	28

Dear Customer!

Thank you for purchasing Tion Clever air purifier-decontaminator.

1. GENERAL

WARNING! Tion Clever can be used by children aged from 8 year and above and persons with reduced physical, sensory or mental capabilities or lack of experience and knowledge if they have been given supervision or instruction beforehand by a person responsible for their safety concerning use of the appliance in a safe way and understand the hazard involved. Children shall not play with the device or its cord. Cleaning and user maintenance shall not be made by children without supervision

Before using Tion Clever air purifier-decontaminator, please read carefully the present Manual (technical passport of the device). Following the instructions presented in this Manual helps to avoid the device failure, extend its service life, and ensure your safety.

The air purifier-decontaminator Tion Clever (in what follows - the device) is designed for cleaning and disinfection of recirculated air in domestic and municipal premises, as well as in other areas where air decontamination and disinfection is required.

The patented medical technology «Tion», specially adapted for use in such premises, is used for air disinfection and cleaning. The present device is not intended for use in medical institutions and other areas with aseptic regime (biological laboratories, clean rooms etc.).

The device is intended for continuous operation in presence of people. The device emits neither noxious substances nor radiation. It cleans the passing air from any types of microorganisms (bacteria, viruses, mold spores). The air is also cleaned from all kinds of particulate solids and aerosols (including particles with sizes down to 0.3–0.5 microns, fumes, dust, allergens etc.), as well as from noxious substances and gases (adverse odors, toxic and carcinogenic agents, exhaust gases etc.).

Air purifiers-decontaminators Tion Clever are manufactured without use of toxic materials in accordance with state Technical Specifications TU 3646–008–97094752–2013 and exert no harm to human health and environment.

Table 1. Disinfection and air cleaning performance of the device

Disinfection performance, not less than., %	99
Filtration grade for mechanical particles and microorganisms (MPPS performance, %)	E10(85)
Microorganisms inactivation performance on filters, for all types of viruses, bacteria and mold spores, not less than, %	90
Maximum input concentration of principal toxic substances (formaldehyde, nitrogen dioxide, ozone, phenol etc.) filtered down below the daily MPC level, according to the state Health Standard GN 2.1.6.1338-03	up to 5 daily MPC

not favor the development of microbial flora. The operation does not require any specific safety measures.

The warranty period for the air purifier-decontaminator Tion Clever is 12 months from the date of sale. If the warranty card lacks the date of sale, then the manufacturing date must be considered as a starting day for the warranty period.

The service life of Tion Clever air purifier-decontaminator is 5 years, in accordance with TU3646-008-97094752-2013. However, cautious care and following all recommendations of the present Manual will substantially extend the effective life span of the Tion Clever device.

The Manufacturer reserves the right to make necessary changes in technical and operational characteristics of the device, its design or design of its parts, without reducing the performance of the equipment.

The air purifier-decontaminator Tion Clever complies with the following regulation standards:

- Requirements of Technical Regulations of the Customs Union:
 - TR TS 010/2011 «Safety of machinery and equipment»;
 - TR TS 004/2011 «Safety of low voltage installations»;
 - TR TS 020/2011 «Electromagnetic compatibility of technical devices».
- STN EN ISO 12100.2011;
- STN EN 60335-1:2012/AC:2014;
- STN EN 60335-2-65:2005/A1:2009/A11:2013;
- STN EN 61000-6-3:2007/A1:2011/AC:2012;
- STN EN 61000-6-1:2007.
- TU 3646-008-97094752-2013.

Declaration of Conformity No. TS N RU D-RU.MM04.B.03211.

Manufacturer:

PRODUCED IN SIBERIA

Tion Group. OOO «Aeroservis», 630090, Novosibirsk, Inzhenernaya str., 20.

Sales and service department:

Novosibirsk, Inzhenernaya str., 20, Tel.: 8 (800) 500 60 29

tion.global

2. SUPPLY PACKAGE AND TECHNICAL PARAMETERS

Table 2. Device supply package

Tion Clever air purifier-decontaminator	1 pc
Remote control unit	1 pc
User Manual	1 pc
Mounting template	1 pc
Fixing kit	1 set
Warranty card	1 pc

Additionally for mobile version (Tion Clever-M)

1	Left grip	1 pc
2	Right grip	1 pc
3	Transverse tube	1 pc
4	Bottom tube	1 pc
5	Hole plug	pcs
6	Plate	1 pc
7	Furniture screw M6x20	4 pcs
8	Cup head screw M6x45	pcs
9	Cover nut M10	4 pcs
10	Swivel roller	2 pcs
11	Swivel roller with stop	2 pcs
12	Cover nut M5	4 pcs
13	Shank bolt M5x12	4 pcs
14	Plastic washer A5	4 pcs
15	Washer A5	4 pcs

Table 3. Technical parameters of the device

Performance, m ³ /h	100 / 150
Power, W	25 / 35
Noise level, dBA	36 / 43
Power supply	220 V, 50 HZ
Mass, kg	12
Dimensions (L x W x H), mm	585 x 195 x 625

3. SAFETY MEASURES

Before connecting Tion Clever air purifier-decontaminator to the electric network, make sure that the nominal voltage indicated on the nameplate on the rear panel of the device matches the actual voltage in the network.

According to the electric shock hazard protection scale, Tion Clever air purifier-decontaminator belongs to class I devices under the condition of using an electric socket with earthing contact.

The device must be operated indoors under following environmental conditions: temperature of the treated air from +5 °C to +40 °C, relative humidity not exceeding 80% at +20 °C.

Do not turn on the device with wet hands or in the premises with increased humidity, since it may lead to electric shock hazard.

Store the disassembled air purifier-decontaminator Tion Clever only horizontally, rear panel down.

Do not place heavy objects on top of the device. Do not pull the power cord, since this may lead to electric shock hazard and/or to the cord damaging. Do not cover the grids on the air intake and outlet holes, since this may cause a failure.

Do not use Tion Clever air purifier-decontaminator under direct action of the sunlight and keep it at a safe distance from heat and external sources of magnetic field.

Avoid trapping of foreign objects and water penetration inside the casing. Do not lift the casing lid when the power supply is on.

Never operate Tion Clever air purifier-decontaminator with damaged power cord. Avoid placing any objects upon the cord; place the cable so as to prevent stumbling against it and falling. Avoid excessive bending of the cable.

Before any maintenance works it is mandatory to disconnect the device from the power supply network. When pulling the cord out from the socket, hold the plug rather than the cord itself.

For repairs contact the manufacturer or an authorized service center.

WARNING! Do not attempt to repair the device on your own!

Disconnect Tion Clever air purifier-decontaminator from power supply and contact an authorized service center, if the indicator panel (Figure 5) shines yellow and the fault cannot be normally fixed (see Chapter 9), as well as in the following cases:

- the casing of Tion Clever air purifier-decontaminator is damaged;
- the power cord, plug and/or socket is damaged;
- water or any foreign object is trapped inside the casing.

4. CONSTRUCTION AND OPERATING CONCEPT

4.1. Construction

Figure 1 outlines the construction of the Tion Clever air purifier-decontaminator. The device consists of casing (Figure 1, Pos. 1) with detachable lid (Figure 1, Pos. 2), filtering unit (Figure 1, Pos. 3) and fan (Figure 1, Pos. 4).

The filtering unit (Figure 2) includes:

- Pre-filter (Figure 2, Pos. 1);
- Electrostatic unit (Figure 2, Pos. 2);
- High-capacity HEPA-filter (Figure 2, Pos. 3);
- Adsorption-catalytic filter (Figure 2, Pos. 4).

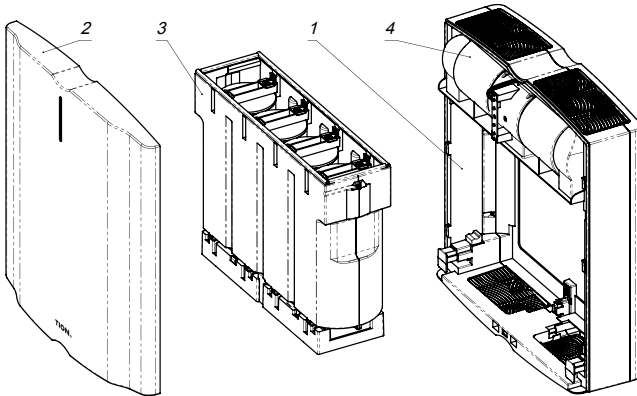


Figure 1. Construction of Tion Clever air purifier-decontaminator

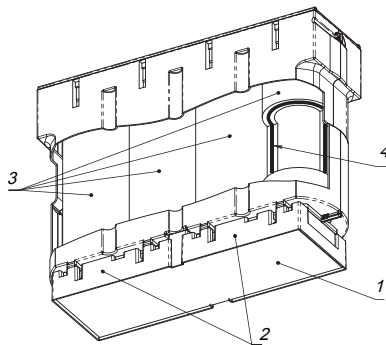


Figure 2. Filtering unit

4.2. Operation concept

The air purifier-decontaminator Tion Clever operates in the 100% air recycling mode. The air is taken through the inlet opening grid and passed through the filtering unit (Figure 1, Pos. 3), which traps all mechanical and chemical impurities and inactivates (destroys) all types of microflora (including mold spores), then the purified air is fed back to the room through the outlet.

The filtering units of the device are adjusted in order to ensure maximal air cleaning efficiency for most contaminants, at the same time providing optimal energy saving, performance, and noise level parameters.

Pre-filter (Figure 2, Pos.1) of Tion Clever air purifier-decontaminator traps coarse dust and prevents dirt, fuzz and hair fiber from penetrating inside the device.

Passing through the electrostatic unit (Figure 2, Pos. 2), mechanical contaminant particles and bioaerosols acquire electrostatic charge and are effectively precipitated on the High-capacity HEPA filter (Figure 2, Pos. 3). Ozone produced in bactericidal concentrations out of oxygen in the electrostatic unit ensures the destruction of viruses, bacteria and mold spores. Such inactivation guarantees sustained sterility of the High-capacity HEPA filter during operation, including filter replacement operations. The used filters do not require any special disposal treatment. Therefore, complete microbiological sustainability of the filtration system is ensured.

Ozone is completely decomposed to oxygen while passing through the adsorption catalytic filter (Figure 2, Pos. 4), simultaneously enhancing the reaction rates of the chemical molecular compounds decomposition. The adsorption catalytic filter (Figure 2, Pos. 4) is designed for effective filtration of odors and harmful gaseous substances.



The ozone concentration at the device outlet does not exceed the daily MPC levels during the whole lifetime of the equipment, thus the device can be used continuously in presence of people. The air purifier-decontaminator Tion Clever does not affect the microclimate parameters (temperature, humidity) and ion composition of the environment.


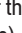
4.3. Controls

Before turning the device on, make sure that the power cord plug is firmly placed in the power socket, and a transparent sticker is removed from the battery box of the remote control unit (RC in what follows).

After pressing the ON/OFF button (Figure 3, Pos. 1), the indicator panel (Figure 5) will shine blue and the device will start operating in the 150 m³/hour mode. To turn the device off press the ON/OFF button again (Figure 3, Pos. 1).

The air purifier-decontaminator Tion Clever is controlled via the remote control unit.

The buttons  and  (Figure 4) serve to control the performance mode of Tion Clever air purifier-decontaminator. The performance mode is visualized on the indicator panel (Figure 5) by the length of the blue light strip (in the 150 m³/hour performance mode the whole indicator strip lightens, and in the 100 m³/hour mode – only its lower half).

Pressing the  button of the remote control unit (Figure 4) switches the Tion Clever device off into standby mode, which is indicated by blinking of the lower half of the blue strip (Figure 5). Pressing the  button of the RC again will switch on the device into the last used performance mode (the indicator panel shines blue).

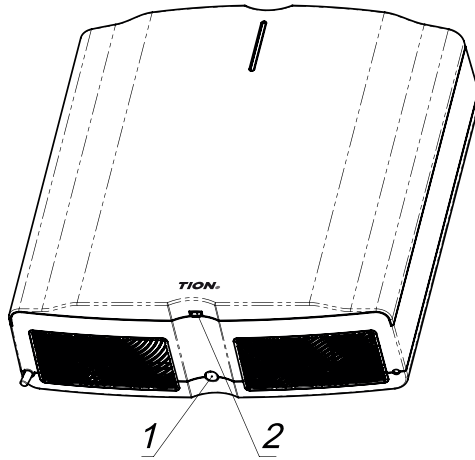


Figure 3. Controls on the bottom panel

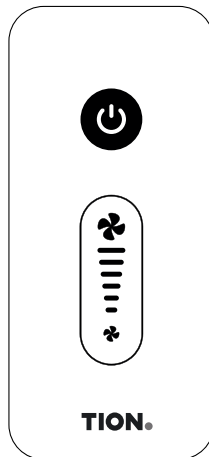


Figure 4. Remote controller (RC)

4.4. Indication

The condition of Tion Clever air purifier-decontaminator is displayed on the indicator panel located at the front of the casing (Figure 5).

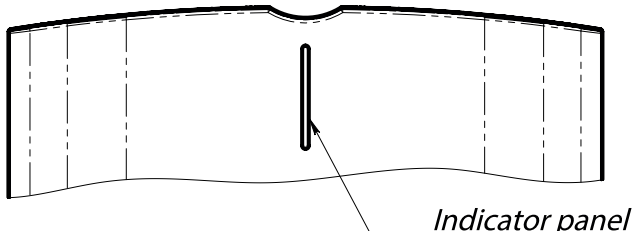


Figure 5. Indicator panel

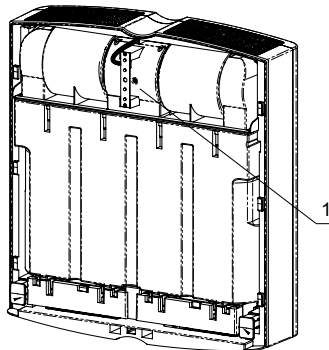


Figure 6. Position of the backlight brightness controls

The operating mode of the device (see p. 4.3) can be determined by the blue light signalization on the indicator panel (Figure 5). The indicator plate has two brightness modes. The backlight brightness switch is located on the indicator plate (Figure 6, Pos. 1).

The device is equipped with a filter replacement warning system. 60 days before filter exhausting the indicator panel starts alternatively blinking yellow (3 sec.) and blue (7 sec.) (the device continues operating normally). After 60 days the device will automatically switch off (the indicator panel will shine yellow) to prevent failure. Further use of the device is possible after filter replacement.

The indicator panel blinking yellow signalizes of a failure. Disconnect the Tion Clever device from the electric network and go to Chapter 9 of the present Manual.

5. INSTALLATION GUIDELINES

5.1. Device placement

The air purifier-decontaminator Tion Clever can be placed either on a wall or on a mobile base. The device must be oriented so that the air intake grid is located at the bottom and the air discharge grid – on the top of the assembly (Figures 7, 16).

An optimal location for device placement is on a wall, distant from both entrance door and windows.

Do not place the device under air intake apertures of the exhaust ventilation (if they are designed in the upper part of the wall or in the ceiling).

If two recycler units Tion Clever are to be installed, they should be placed providing a maximum possible distance between them (for example, attached to opposite walls).

5.2. Placement requirements

The intake and outlet grids of the device must be free from any objects and obstructions. The recommended distance to the nearest objects along the air flow line is at least 50 cm.

If the device is attached to a wall, the air intake opening must be at least 1 m above the floor (Figure 7).

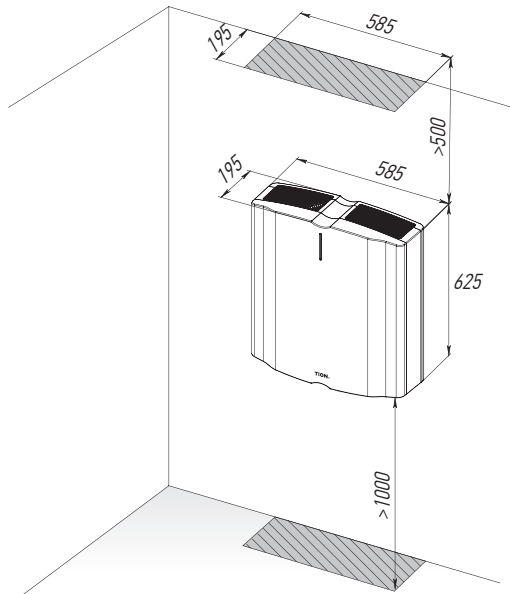


Figure 7. Free space allocation for mounting the device on the wall

5.3. Device installation

Perform the installation of Tion Clever air purifier-decontaminator in the following order:

- Mark the places for 4 holes using the mounting template;
- Drill four holes at least 58 mm deep, insert screw anchors $\text{Ø}8 \times 50$, and fix sharp screws $\text{Ø}4,2 \times 57$ into them. The layout of the mounting holes is shown in Figure 8;
- Lift the lid (Figure 1, Pos. 2) and remove the filtering unit (Figure 1, Pos. 3) (pp. 1 – 3 of Section 8.1.1);
- Loosen the screws indicated in Figure 9;
- Attach the device onto four sharp screws $\text{Ø} 4,2 \times 57$;
- Fasten the screws shown in Fig. 9

WARNING! If the walls are finished with plasterboard, the installation must be performed with use of specialized attachment tools.

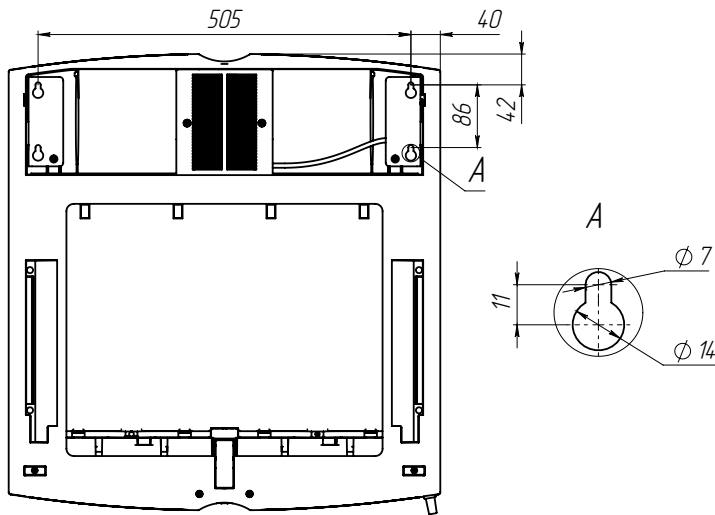


Figure 8. Layout of the device fixing holes

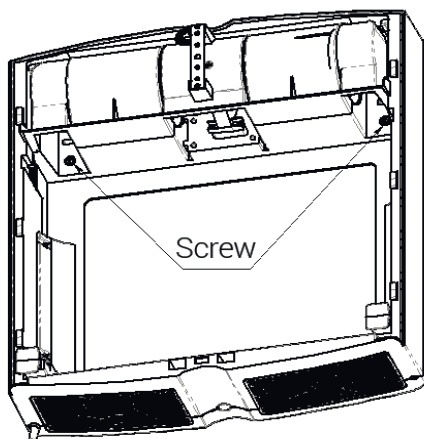


Figure 9. Location of mounting plate screws

5.4. Mobile version of the Air purifier-decontaminator Tion Clever-M

5.4.1. Mobile base mounting guidelines

See position numbers in Table 2.

Install the hole plugs (5) into left (1) and right (2) grip ends, transverse tube (3) and bottom tube (4) to avoid any gaps (Figure 10).

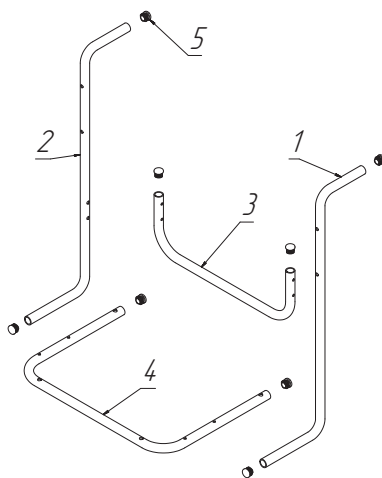


Figure 10.

Fasten the swivel rollers (10) and (11) with the cup nuts (9) on the bottom tube (4), as shown in Figure 11.

Mount the transverse tube (3) between left (1) and right (2) grips and fasten it with screws (8), as shown in Figure 12.

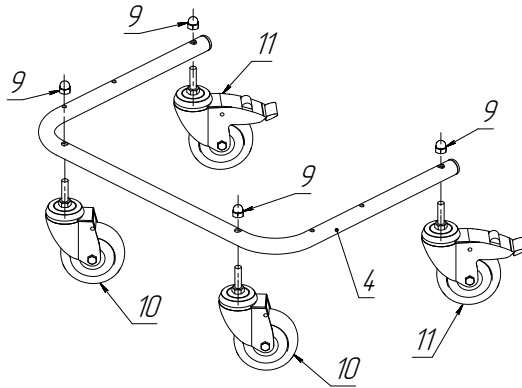


Figure 11.

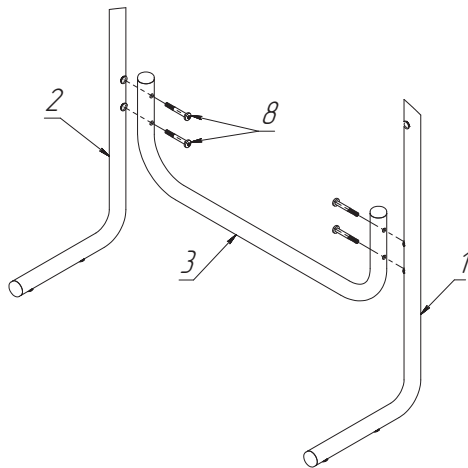


Figure 12.

Place the assembly on the assembled support and fasten it with screws (8), as shown in Figure 13.

Fasten the screws (13) on the plate (6) with cup nuts (12), silicon washers (14), and washers (15), as shown in Figure 14.

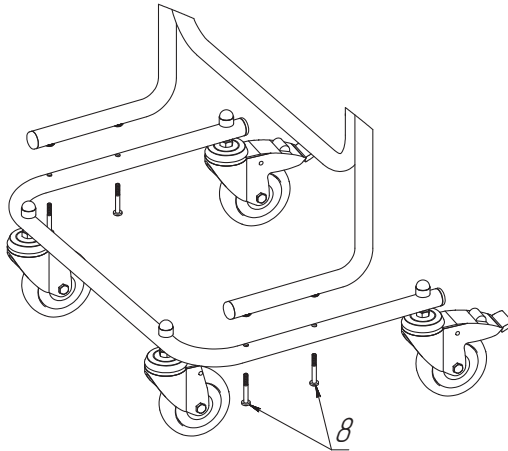


Figure 13.

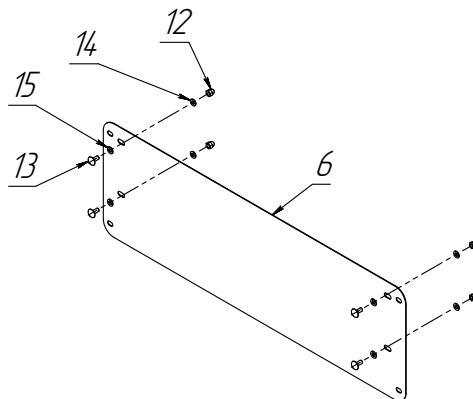


Figure 14.

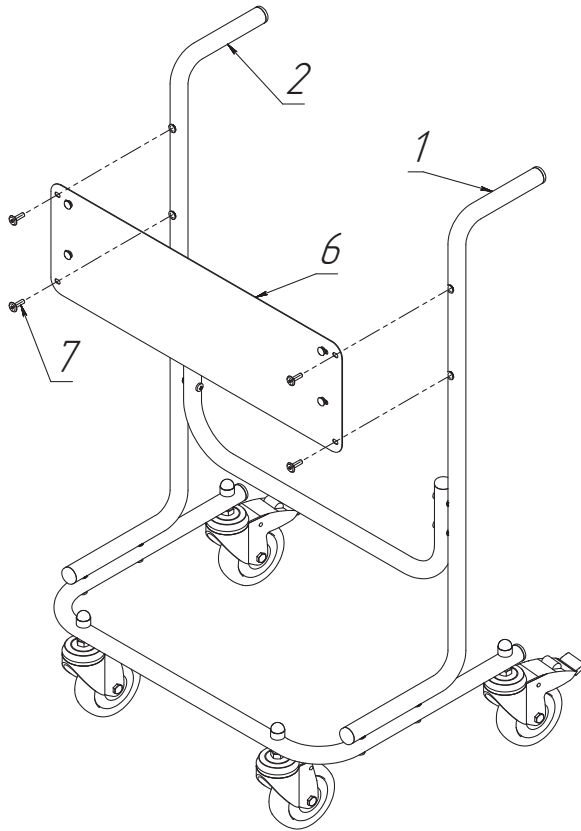


Figure 15.

Fasten the plate (6) on left (1) and right (2) grips with screws (7), as shown in Figure

5.4.2. Installation of the Air purifier-decontaminator Tion Clever-M on the mobile base

- Lift the lid (Figure 1, Pos. 2) and remove the filtering unit (Figure 1, Pos. 3) (pp. 1 – 3 of Section 8.1.1);
- Loosen the screws indicated in Figure 9;
- Fix the device onto 4 bolts (Pos.14) shown in Figure 14;
- Fasten the screws shown in Fig. 9.

The assembled mobile version of the device is outlined in Figure 16.

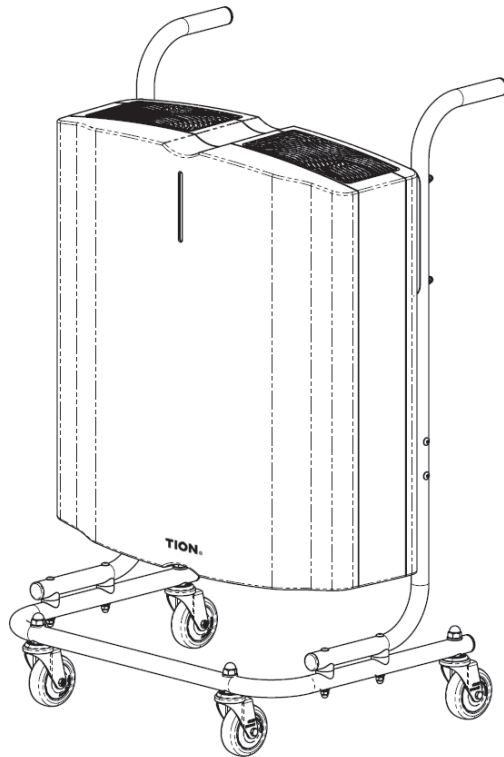


Figure 16. Mobile version of the Air purifier-decontaminator Tion Clever-M

6. COMMISSIONING

To ensure normal device operation and operational safety, make sure the following conditions are met before using Tion Clever air purifier-decontaminator:

- If the device is to be mounted on the wall, choose the location so that the rear panel of the Tion Clever device is tightly attached to the wall;
- After transportation and/or storage of the device at subzero temperature, remove the packing and leave Tion Clever air purifier-decontaminator for 12 hours in the place of its operation without connecting it to the power supply;
- After removing the shipping package, carefully inspect the air purifier-decontaminator Tion Clever for visual damages (cracks, deformations of the casing, damaged cable, etc.); if such damages are detected, do not turn on the device and contact the Manufacturer or an authorized service center;
- The electric power supply network must meet the following requirements: voltage 220 V AC, frequency 50 Hz, availability of earthing contacts.

If these conditions are met, Tion Clever air purifier-decontaminator is ready for operation.

7. EQUIPMENT SELECTION GUIDELINES

Each room should be equipped with a separate Tion Clever device, even if two adjacent rooms are connected via an opening.

A room with zigzag-like geometry should be split into several sections according to the number of turns, each section treated as a separate room.

If a long and narrow passage is to be equipped, it should be considered as a sequence of rectangle sections with a length/width ratio not exceeding 1:4; every such section should be provided with a separate air purifier-decontaminator Tion Clever device.

Recommended air exchange rate is at least 3 (recommended air volume of the room to be serviced by one device is provided in Table 4).

Recommended maximum number of people in a room equipped with one air purifier-decontaminator Tion Clever is three.

If the air exchange rate does not match the requirements, or rooms with larger number of people or subject to intense pollution sources are to be served, it is necessary to install additional air purifier-decontaminator devices Tion Clever.

Table 4. Recommended dimensions of the room for the device with 100/150 m³/h performance.

Recommended air volume of the room, m ³	up to 48
Recommended floor space of the room, m ² (with ceiling height 2.8 m)	up to 18

8. MAINTENANCE

The technical maintenance of Tion Clever air purifier-decontaminator consists in scheduled cleaning of the electrostatic unit (Figure 2, Pos. 2), replacement of prefilter (Figure 2, Pos. 1) and High-capacity HEPA filters with adsorption catalytic filters (Figure 2, Pos. 3 and 4), which store mechanical impurities (dust and aerosols) and molecular contaminants along with natural depletion of their service life.

The periodicity of the service maintenance of the air cleaner and contaminator Tion Clever depends on the pollution level of the treated air (Table 5). Regardless of the device indications, it is recommended to perform the maintenance of the device at least twice a year in the case of low and medium pollution loads (ODA1–ODA3 by GOST R EN 13779-2007) and at least quarterly in the case of high pollution loads (ODA4–ODA5 by GOST R EN 13779-2007). If Tion Clever air purifier-decontaminator is used to neutralize the tobacco fume, etc., regular maintenance must be scheduled at least monthly.

For the air purifier-decontaminator Tion Clever-M the maintenance schedule must be at least monthly, regardless of the device indications.

Table 5. Maintenance schedule

Air contamination grade	Type of the premises	Maintenance schedule
Low and medium	Premises in areas with low or moderate pollution load, upper floors of high-rise building	According to pollution accumulation, but at least twice a year.
High	Premises near highways or near industrial enterprises, lower floors of high-rise buildings	According to pollution accumulation, but at least once quarterly.

The replacement of interchangeable filters and cleaning of the electrostatic unit can be performed either by the user or in an authorized service center.

The device repairs can only be performed in an authorized service center or by authorized experts.

The outer surface of the casing can be cleaned as and when necessary with use of wet cloth, soap solution based detergents, and disinfecting agents. The device must be turned off and disconnected from the power supply network.

Please keep in mind that evidences of unauthorized repairs or changes in the design of Tion Clever air purifier-decontaminator can invalidate the eligibility of warranty service.

8.1. Maintenance order

8.1.1. Prefilter replacement

WARNING! Switch off the device by pressing the ON/OFF button (Figure 3, Pos. 1) and wait 5 minutes, then disconnect the power supply (pull the plug out of the power socket).

1. Lift the lid (Figure 1, Pos. 2), shifting it upwards until it stops (pull the latch in the lower part of the panel, Figure 3, Pos. 2);
2. Pull the latches of the filtering unit, located on the left and right sides at the bottom of the filtering unit, to click, as shown in Figure 17;
3. Extract the filtering unit from the device;
4. Extract the prefilter as shown in Figure 18;
5. Install a new prefilter;
6. Place the filtering unit back;
7. Insert latches of the filtering unit until stop (these pieces will move with a slight effort);
8. Place the lid back.

8.1.2. Cleaning the chargers of the electrostatic unit

WARNING! Switch off the device, pressing the ON/OFF button (Figure 3, Pos. 1), and wait 5 minutes, then disconnect the power supply (push the plug out of the power socket).

1. Lift the lid (Figure 1, Pos. 2), shifting it upwards until it stops (pull the latch in the lower part of the panel, Figure 3, Pos. 2);
2. Pull the latches of the filtering unit, located on the left and right sides at the bottom of the filtering unit, to click, as shown in Figure 17;
3. Extract the filtering unit from the device;
4. Extract the prefilter, as shown in Figure 18;
5. Disconnect the chargers from earthing as shown in Figure 19;
6. Extract the chargers by pulling them as shown in Figure 20;
7. Gently wipe the metal plates of the chargers in the electrostatic unit and corona discharge electrodes (in the form of wires) with a cloth. The plates and corona wires of the charger are shown in Figure 21;

WARNING! Handle the electrode wires with care not to tear them. If necessary, use 3% solution of hydrogen peroxide. After cleaning, the charger should be carefully washed and its elements dried.

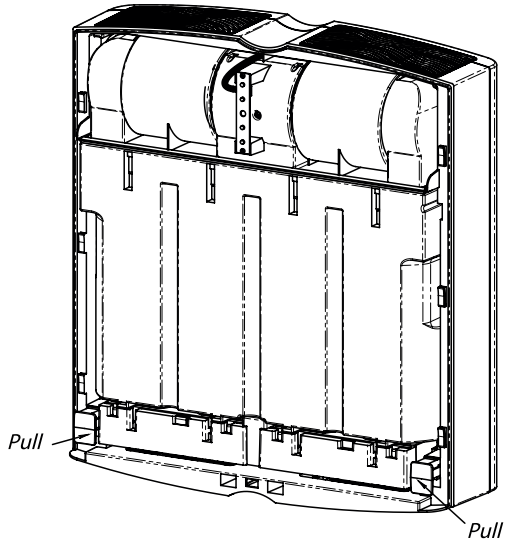


Figure 17. Latches of the filtering unit

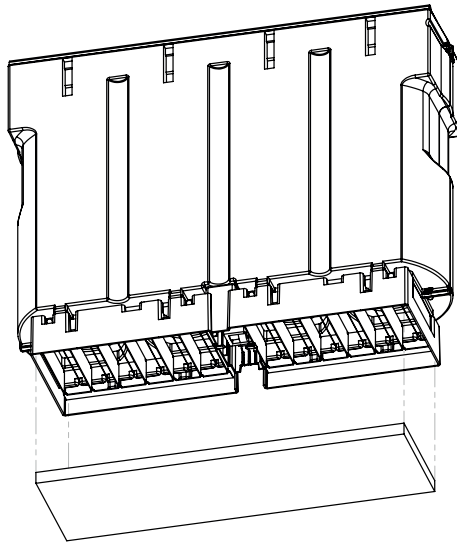


Figure 18. Prefilter replacement

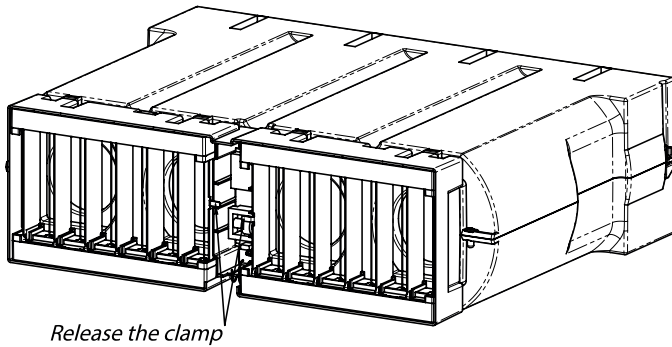


Figure 19. Disconnecting chargers from the earthing cables

8. Reinstall the charger
9. Connect the earthing cables to the chargers;
10. Place back the prefilter;
11. Place back the filtering unit;
12. Insert latches of the filtering unit until stop (these pieces will move with a slight effort);
13. Place back the lid.

8.1.3. HEPA filter replacement

1. Lift the lid (Figure 1, Pos. 2), shifting it upwards until it stops (pull the latch in the lower part of the panel, Figure 3, Pos. 2);
2. Pull the latches of the filtering unit, located on the left and right sides at the bottom of the filtering unit, to click, as shown in Figure 17;
3. Extract the filtering unit from the device;
4. Release the clamps of HEPA filters to be replaced, as shown in Figure 22;
5. Extract exhausted HEPA filters as shown in Figure 23;
6. Insert new HEPA filters until stop (the filters are centered along the cone surface, therefore a certain effort is required to place them);
7. Reinstall the clamps until stop (normally the clamp must sit tightly; if a clamp dangles, then press it to one click from each side);
8. Place back the filtering unit;
9. Insert latches of the filtering unit until stop (these pieces will move with a slight effort);
10. Place back the lid;

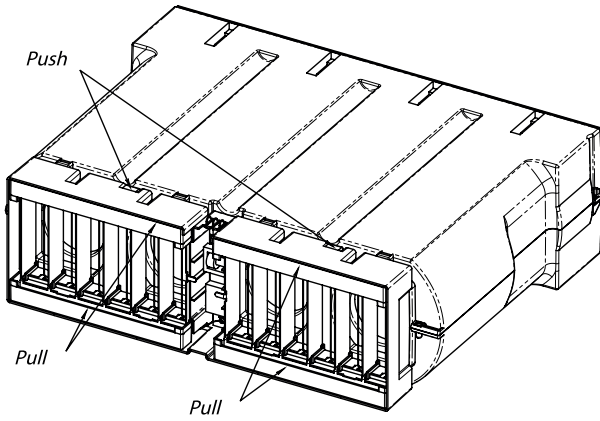


Figure 20. Charger removal

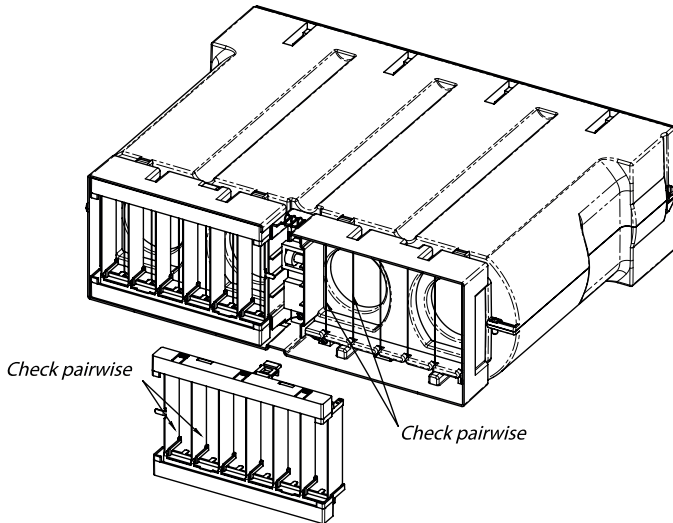


Figure 21. Cleaning the charger

11. Carefully put the device on a clean horizontal surface face down;
12. Unscrew 2 bolts fixing the electrostatic unit lid and remove the latter (Figure 24);
13. Connect the device to the power supply and turn it on by pushing the ON/OFF button (Figure 3, Pos.1);
14. Press and hold the button shown in Figure 25 for 3 s to reset the alarm message «Exhausted filters»;
15. Place back the electrostatic unit lid and fasten it with screws.

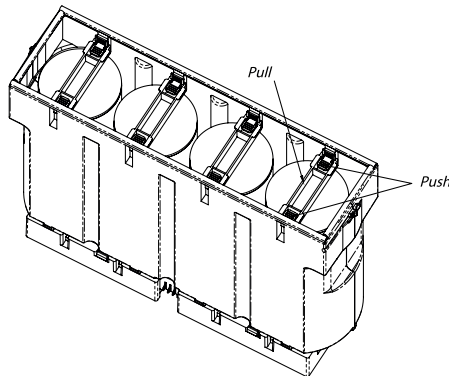


Figure 22. Lifting HEPA filter clamps

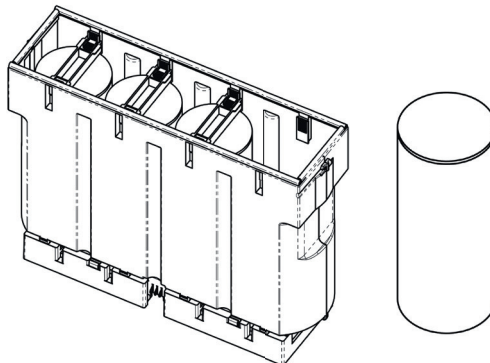


Figure 23. Filter replacement

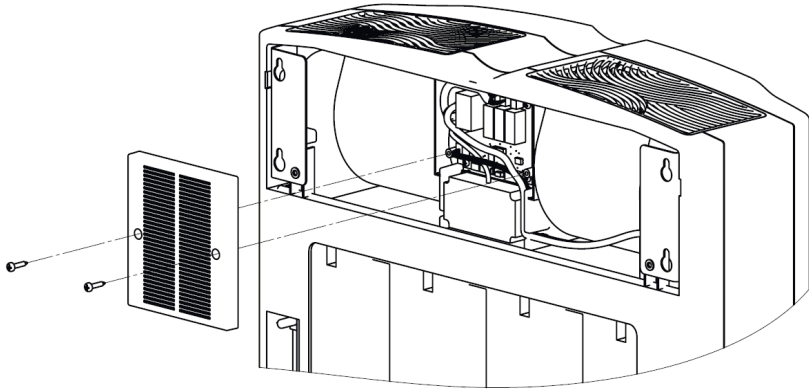


Figure 24. Lid for the electronic control unit

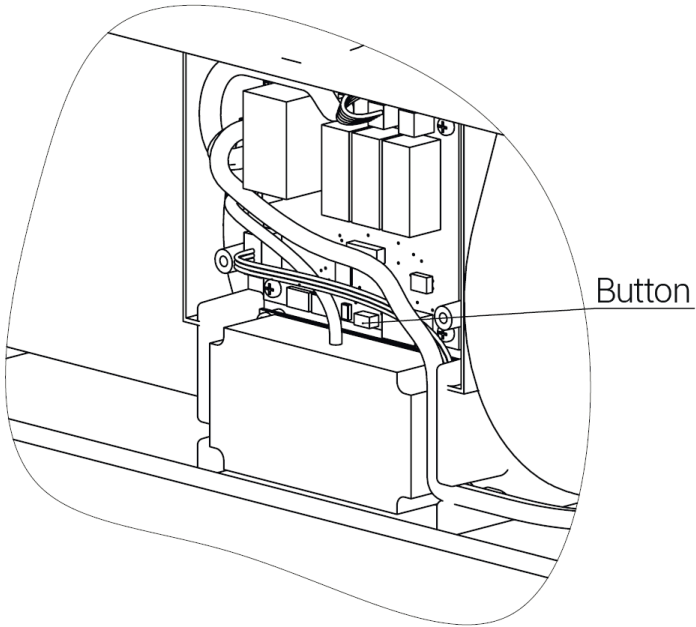


Figure 25. Alarm reset button

9. TROUBLESHOOTING GUIDE

If a failure indication appears (Table 6), disconnect Tion Clever air purifier-decontaminator from the power supply. Check whether the problem can be fixed with means listed in the «Remedy» column. If the problem persists or is not listed in Table 6, contact the authorized service center and request repairs.

WARNING! Do not try to perform repairs on your own.

Table 6. Common troubles and remedies

Nº	Problem	Probable cause	Remedy
1	The device fails to start (indicator panel is off)	No power supply	Check power supply in the electric network and concurrence of its parameters to the values in Table 3 of the present Manual
2	Indicator panel blinks blue (2.8 s with 0.2 s pause)	Electrostatic unit is contaminated	Clean the electrostatic unit (see p.8.1.2) or contact the authorized service center
3	Indicator panel blinks yellow (1 s, then 3 s pause)	Critical contamination level of the electrostatic unit	Clean the electrostatic unit (see p.8.1.2) or contact the authorized service center
4	Indicator panel intermittently blinks 3 s yellow, than 7 s blue (device is functioning)	Filters need to be replaced during the next 60 days	Replace filters (see p.8.1.3) or contact the authorized service center
5	Indicator panel shines yellow steadily (device is not functioning)	Filters are exhausted	Replace filters (see p.8.1.3) or contact the authorized service center
6	Fan speed cannot be changed	The battery in the Remote Control Unit is discharged	Replace the battery in the Remote Control Unit
7	Color indication on the panel lightens randomly	The electronic control plate (indicator plate) was affected by a strong electromagnetic field	Turn off the device, disconnect it from power supply and wait several minutes, then turn it on again. If the problem persists, contact the authorized service center

10. STORAGE AND TRANSPORTATION

The air purifier-decontaminator Tion Clever must be transported and stored in the factory packing before commissioning. During transportation ensure its protection against shocks, downfalls and adverse climatic factors.

The device can be stored and warehoused in non-heated rooms at temperature from $-50\text{ }^{\circ}\text{C}$ to $+50\text{ }^{\circ}\text{C}$ and relative humidity up to 80% at $+20\text{ }^{\circ}\text{C}$.

If the filters are stored separately from the device, the following rules must be observed:

- The filters must be stored in a dry room protected from direct sunlight, at least 1 m from heating devices at temperature not exceeding $+30\text{ }^{\circ}\text{C}$ and relative humidity not exceeding 80%;
- Do not store the filters in a warehouse together with chemicals;
- The filters can be palletized in max four layers (the pallets should not be stacked);
- The pallets with filters must be wrapped in stretch film at least twice. If the above rules are observed, the storage period of the filters is unlimited.

During shipping, storing and warehousing, the handling marks indicated on the packaging must be observed.

ACCEPTANCE CERTIFICATE

Tion Clever air purifier-decontaminator

Serial number _____

Corresponds to Technical Specifications TU 3646–008–97094752–2013 and is ready for use.

Remote controller	
User Manual	
Mounting template	
Fixing kit	
Mobile base (for mobile version Tion Clever-M)	
Warranty card	

Manufacturing date « ____ » _____ 20 ____

QC Manager _____ / _____

QC stamp

SALES CERTIFICATE

Vendor _____

Sale date « ____ » _____ 20 ____

Vendor's signature and stamp _____ / _____

Stamp

Version 1.1.1

TION.GLOBAL

